

Lead2Passed



Lead2Passed

HOME

ALL VENDORS

★ GUARANTEE

? FAQ

TESTIMONIALS

Login / Register My Shopcart (1)

Input your exam code ...



Try before you buy

Download a free sample of any of our exam questions and answers

- ✓ Online Test Engine: Online Tool, Convenient, easy to study. Instant Online Access. Supports All Web Browsers.
- ✓ PDF format: Easy to read and print learning materials, our products are available in PDF file format.
- ✓ Desktop Test Engine: Installable Software Application. Simulates Real Exam Environment. Practice Offline Anytime.



Security & Privacy

We respect customer privacy. We use McAfee's security service to provide you with utmost security for your personal information & peace of mind.



365 Days Free Updates

Free update is available within 365 days after your purchase. After 365 days, you will get 50% discounts for updating.



Money Back Guarantee

Full refund if you fail the corresponding exam in 60 days after purchasing. And Free get any another product.



Instant Download

After Payment, our system will send you the products you purchase in mailbox in a minute after payment. If not received within 2 hours, please contact us.

<http://www.lead2passed.com>

Valid Certification Exam Dumps Materials and Study Guide -
Lead2Passed

Exam : **OMG-OCSMP-MBI300**

Title : OMG-Certified Systems
Modeling Professional - Model
Builder - Intermediate

Vendor : OMG

Version : DEMO



NO.1

Assume the block is in A-State when two evCs ate received.

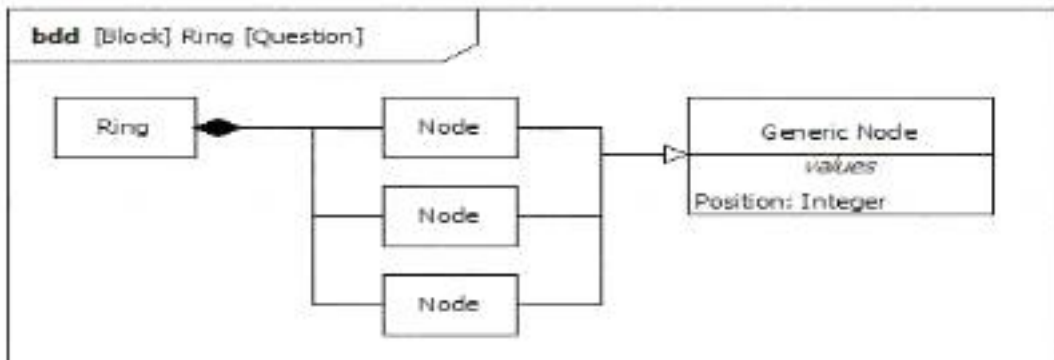
What is a plausible sequence of behaviors that occurs when a subsequent evG occurs?

- A. action 1. stop activity X (if running), action 7, action 8, action 5, start activity Y
- B. stop activity X (if running), action 8, action 5, start activity Y, action 7
- C. stop activity X (if running) action 8, action 5, start activity Y, action 7, action 7
- D. stop activity X (if running), action 2, action 8, action 5, start activity Y, action 7, action 7
- E. stop activity X (if ninning). action 2, action 8, action 5, start activity Y, action 7, action 7, action 6

Answer: A

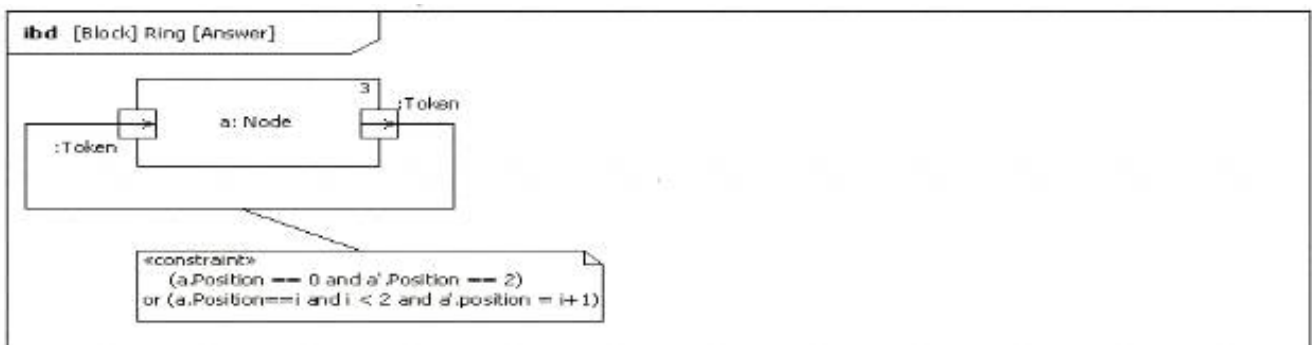
NO.2 Choose the correct answer

Given the following bdd for a token ring network, in which a token flows from node n to node n+1 except that when it reaches the node at the maximum position n flows to the node at the minimum position.

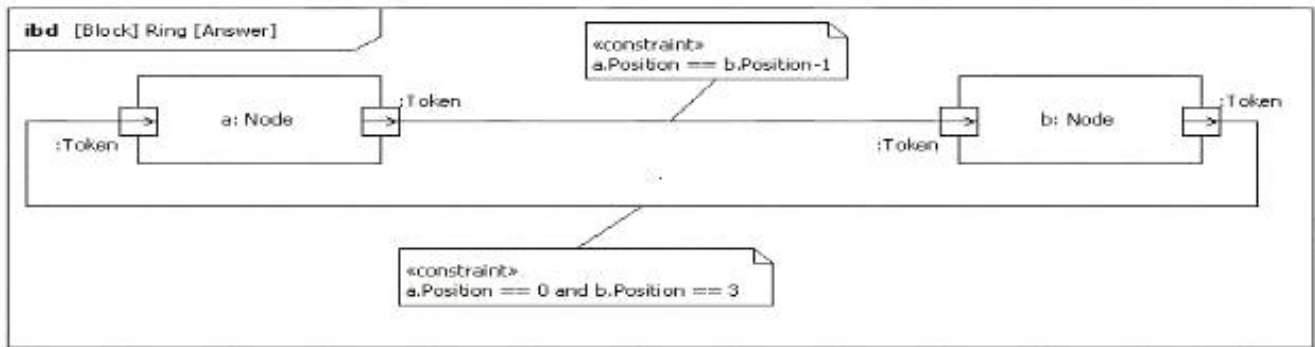


Which ibd correctly models this behavior?

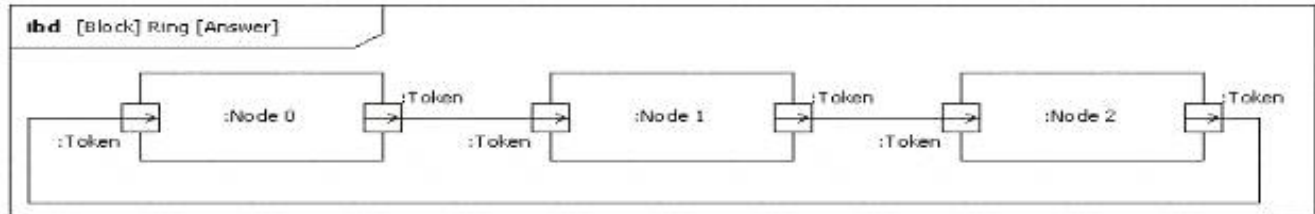
A.



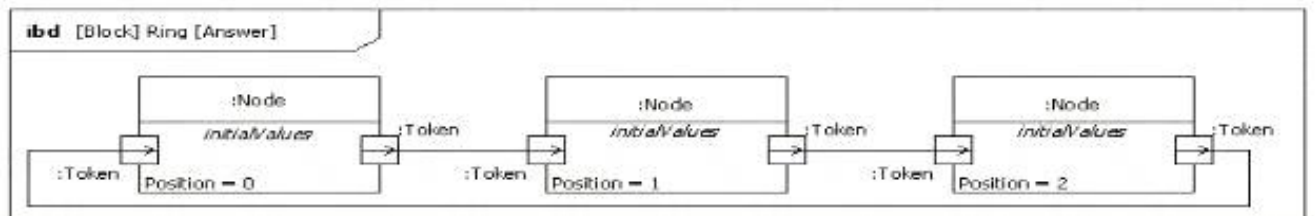
B.



C.



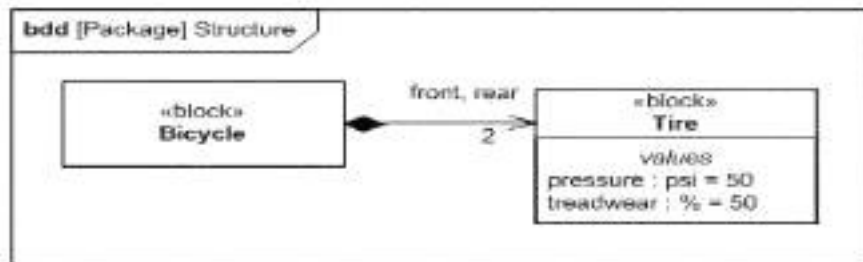
D.



Answer: B

NO.3 Choose the correct answer.

Given the following diagram:



Which statement is true about the values of pressure for the bicycle parts front : Tire and rear : Tire?

- A. The pressure of each part is constrained to be 50 psi.
- B. If not redefined individually by each part, the value of pressure must be 50 psi.
- C. The values may be redefined, but they must be the same for both front and rear.
- D. To be other than 50 psi. instance specifications must be developed for front and rear tires.

Answer: C

NO.4 Choose the correct answer

Which statement is true about the read only keyword when it appears next to a property?

- A. It states that the corresponding property is provided for reading purposes only
- B. It specifies that the corresponding property cannot be redefined
- C. It specifies that the value of the corresponding property cannot change during the lifetime of its

owner.

D. It specifies that the value of the corresponding property can be changed by its owner, but can only be read by other blocks

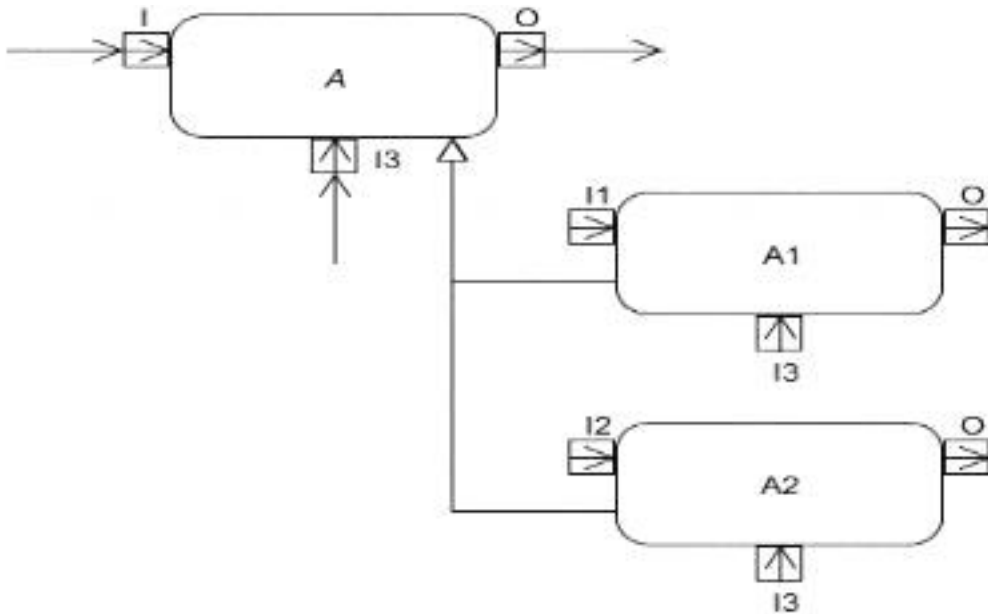
Answer: A

NO.5 Choose the correct answer

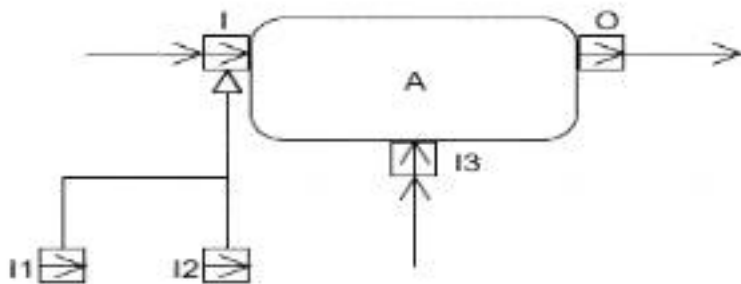
A has three inputs I 1, I 2 and I 3 and one output O. I 1, I 2, I 3 and O are all of the same type. A requires I 1 or I 2 to execute but I 1 and I 2 are mutually exclusive. I 3 must be present for A to begin.

Which activity diagram fragment correctly shows A with its three inputs and one output?

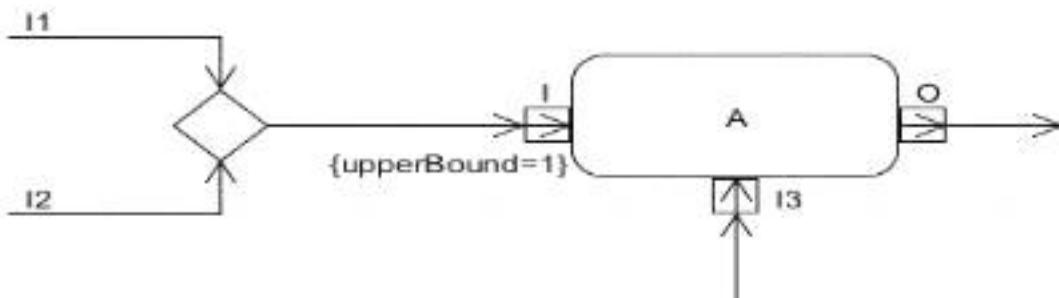
A.



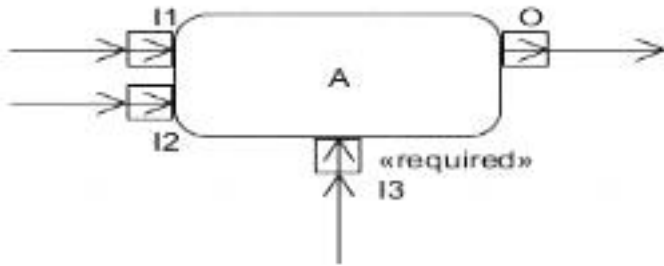
B.



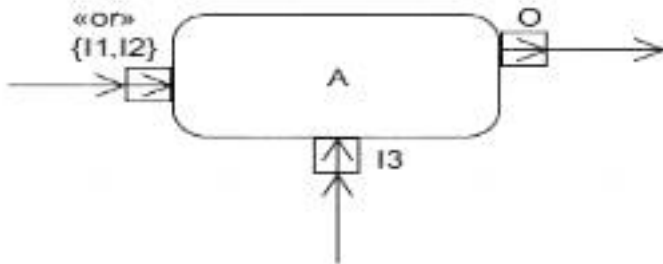
C.



D.



E.

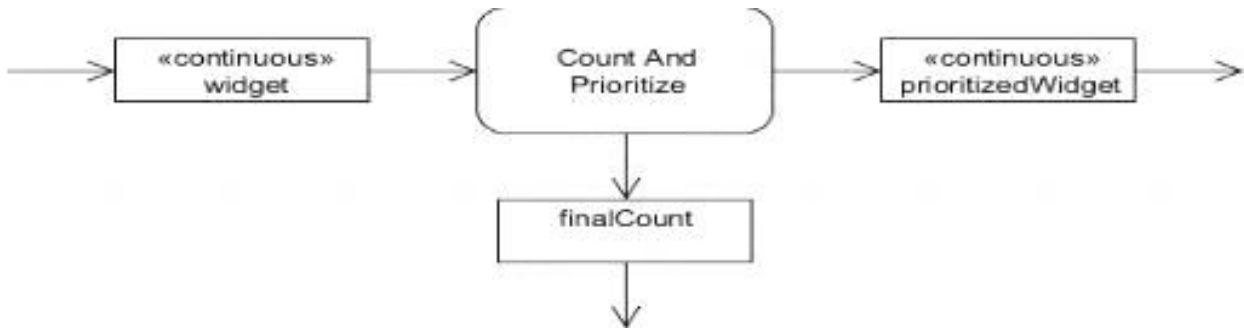


Answer: A

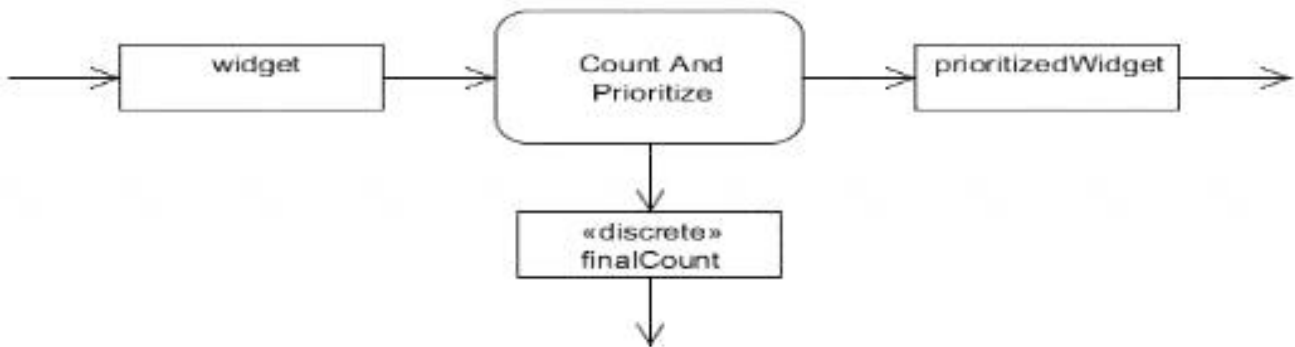
NO.6 Choose the correct answer.

There is a requirement to count and prioritize widgets. While it is active, the action that implements this behavior will repeatedly accept a widget and immediately output a prioritized widget. A special "final" widget will cause the action to terminate and output the total count of widgets It processed Which activity diagram fragment shows this action along with its inputs and outputs?

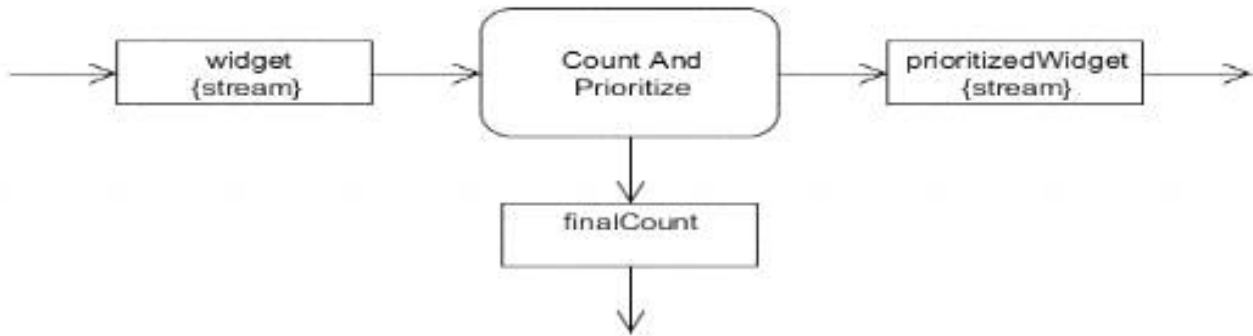
A.



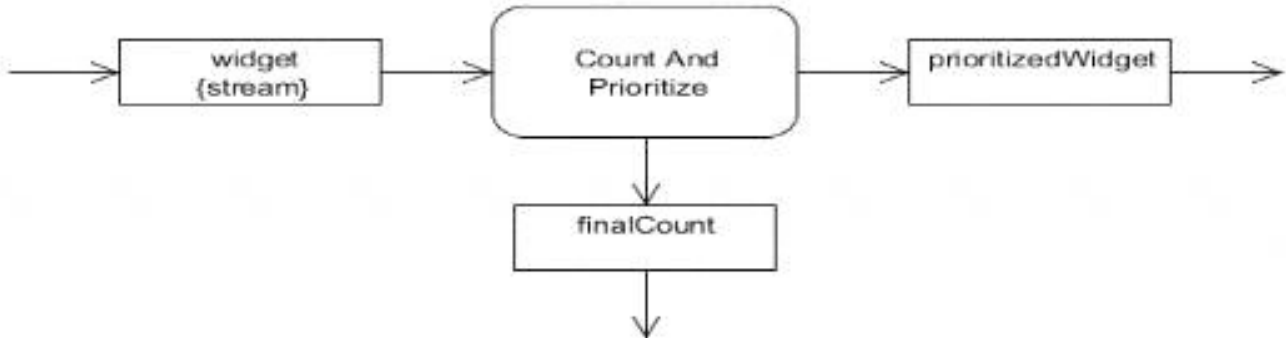
B.



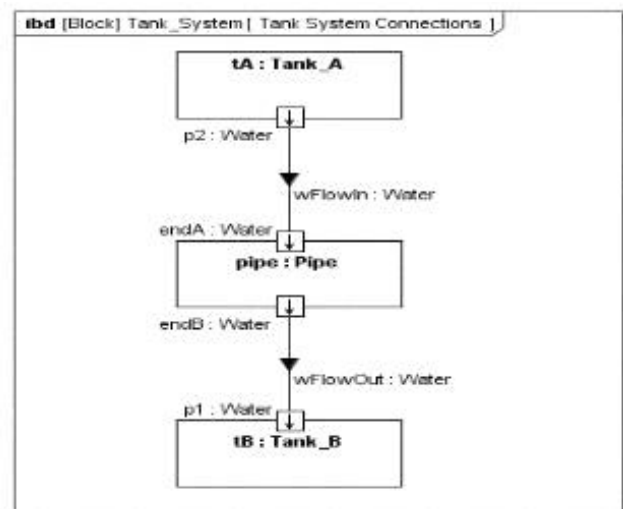
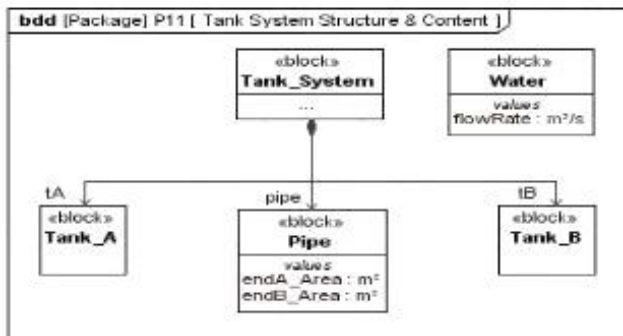
C.



D.

**Answer: A****NO.7** Choose the correct answer.

A system engineer has created the following model of a tank system composed of two tanks and a pipe connecting them:



The system engineer wants to mathematically relate the flow of water through the pipe using the following mass conservation equation: Tank_System wFlowin flowRate * Tank_System pipe endA_Area = Tank_System wFlowOut flowRate * Tank_System pipe endB_Area How would the system engineer model this in SysML?

- Create a block to represent the mass conservation equation, use it in Tank_System. and relate its properties to the properties of wFlowin. wFlowOut. and pipe
- Create a constraint block to represent the mass conservation equation, use it in Tank_System. and relate its parameters to the properties of wFlowin. wFlowOut. and pipe
- Create a constraint block to represent each of wFlowin wFlowOut and the mass conservation equation; use these constraint blocks In Tank_System. and relate their parameters to the properties

of pipe.

D. Create two flow properties for Tank_System (equivalent to wFlowin and wFlowOut); create a constraint block for the mass conservation equation and use it in Tank_System. and then relate the flow properties to the new constraint property.

E. It is not possible to model this because wFlowin and wFlowOut are item properties and not flow properties

Answer: C

NO.8 Choose the correct answer.

Given the following diagram fragment:



What does the multiplicity at the actor end mean?

- A.** At most two Initiator actor instances can perform the use case
- B.** Two Initiator actor instances are required to trigger the use case
- C.** Two Initiator actor instances are required to participate in the use case.
- D.** Multiplicities carry no meaning on use case diagrams

Answer: C

NO.9 Choose the correct answer

Which SysML construct is used to represent a connection point to an interaction when It is being used by another interaction?

- A.** a formal gate
- B.** a usage point
- C.** a message port
- D.** an interaction parameter

Answer: C